

PAGE 9:4

**HAKKO 926 AND 936 SOLDER STATION
 IRON and SPARE PARTS**

HAKKO 926 SPARE PARTS

HANDLE COVER

CODE: HAKKO 926COVER
 TRADE:\$ 4.47

HANDLE TIP ENCLOSURE

CODE: HAKKO 926TIP
 TRADE:\$ 4.60

IRON HOLDER BODY

CODE: HAKKO 926BODY
 TRADE:\$17.99

IRON HOLDER MOUNT BASE

CODE: HAKKO 926BASE
 TRADE:\$ 4.47

THUMB SCREW

CODE: HAKKO 926SCREW
 TRADE:\$ 2.95

IRON NIPPLE

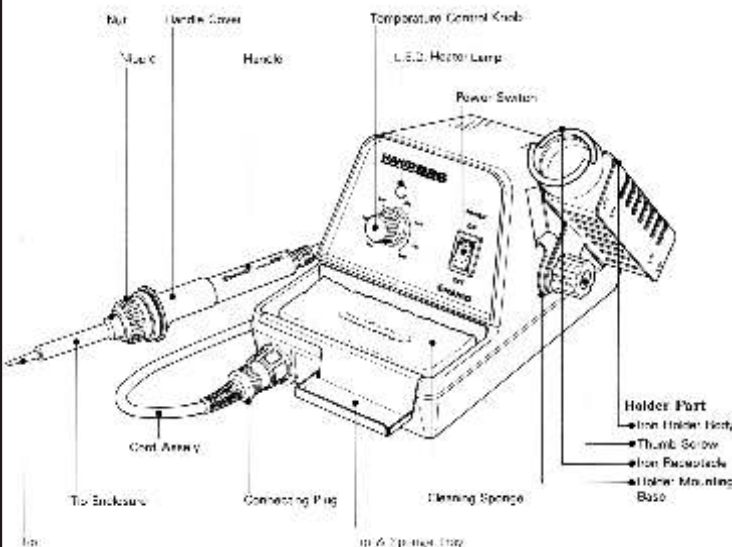
CODE: HAKKO 926NIPPLE
 TRADE:\$12.95

CORD ASSEMBLY

CODE: HAKKO 926CORD
 TRADE:\$ 39.95

**COMPLETE SOLDERING IRON and CORD:
 SUITS ALL 926 927 928 and 700 UNITS
 ALSO SUITS 900 AND 907 IRONS**

CODE: HAKKO 926IRON
 TRADE: \$ 89.95
 RETAIL: \$110.00



HAKKO 936 SPARE PARTS

CLEANING SPONGE

CODE: HAKKO 936SPONGE
 TRADE:\$ 4.95

THUMB NUT

CODE: TBA
 TRADE:\$ TBA

SPONGE TRAY

CODE: TBA
 TRADE:\$ TBA

HANDLE COVER

CODE: \$ TBA
 TRADE:\$ TBA

IRON RECEPTACLE

CODE: TBA
 TRADE:\$ TBA

TIP ENCLOSURE

CODE: TBA
 TRADE:\$ TBA

IRON HOLDER BODY

CODE: TBA
 TRADE:\$ TBA

HOLDER MOUNT BASE

CODE: TBA
 TRADE:\$ TBA

THUMB SCREW

CODE: TBA
 TRADE:\$ TBA

HANDLE

CODE: TBA
 TRADE:\$ TBA

IRON NIPPLE

CODE: TBA
 TRADE:\$ TBA

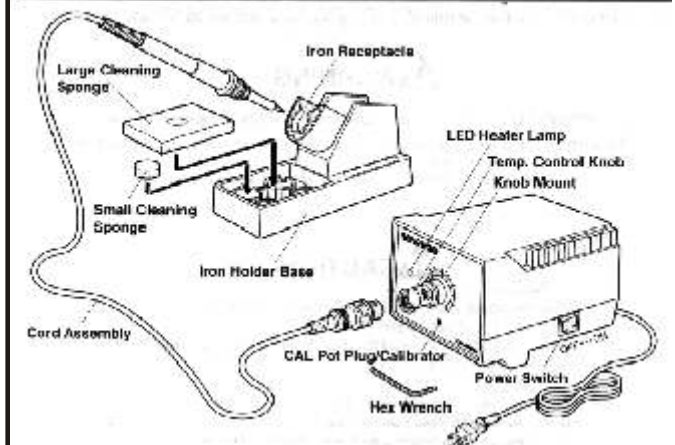
CORD ASSEMBLY

CODE: TBA
 TRADE: \$ TBA

**COMPLETE SOLDERING IRON and CORD:
 SUITS ALL 936 UNITS**

CODE: TBA
 TRADE: TBA

Names of Parts



PAGE 9:5

HAKKO REPLACEMENT TIPS

HAK 900M-T-1.6D



SUITS: HAKKO 926
CODE: HAK 900M-T-1.6D
TRADE: \$ 14.95

HAK 900M-T-B



SUITS: HAKKO 926
CODE: HAK 900M-T-B
TRADE: \$ 14.95

HAK 900M-T-2.4D



SUITS: HAKKO 926
CODE: HAK 900M-T-2.4D
TRADE: \$ 14.95

HAK 900M-T-2C



SUITS: HAKKO 926
CODE: HAK 900M-T-2C
TRADE: \$ 14.95

REPLACEMENT TIP

*These tips are fitted flat only.

900 M-T-1.6 D		900 L-T-B	
900 M-T-2.4 D		900 L-T-2B	
900 M-T-3.2 D		900 L-T-2.4 D	
900 M-T-5		900 L-T-3.2 D	
900 M-T-6B		900 L-T-4 D	
900 M-T-1 C		900 L-T-2 C	
* 900 M-T-1 CF		900 L-T-2 CF	
900 M-T-2 C		900 L-T-3 C	
* 900 M-T-2 CF		900 L-T-4 C	
900 M-T-3 C		* 900 L-T-4 CF	
* 900 M-T-3 CF		900 L-T-5 C	
900 M-T-4 C		* 900 L-T-5 CF	
* 900 M-T-4 CF		900 L-T-H	
900 M-T-K		900 M-T-1.6 H	
900 M-T-1		900 M-T-R	
900 M-T-H		900 M-T-R7	
900 M-T-1.6 H			

*900M Tip Out Diam φ6.5
 *900L Tip Out Diam φ8.5

HAKKO 926 SOLDERING IRON



CODE: HAKKO 926IRON
TRADE: \$ 89.95
RETAIL: \$110.00

WELLER TIP ACTIVATOR.

TIP ACTIVATOR TO ACTIVATE
 YOUR SOLDERING TIPS.



CODE: WELL TIPACT
TRADE: \$ 19.95
RETAIL: \$ 29.95

*** ANY HAKKO 926 REPLACEMENT TIPS NOT LISTED*
 HERE CAN BE ORDERED IN FOR YOU UPON REQUEST**

PAGE 9:6

**HAKKO REPLACEMENT PARTS
 and ACCESSORIES**

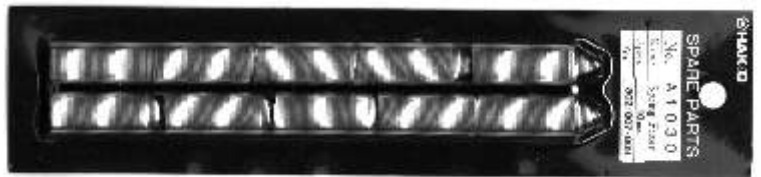
HAKKO HEATING ELEMENT

SUITS: HAKKO 900M-H AND 900M-L6, 907, 908
CODE: HAK A1321
TRADE: \$ 37.95
RETAIL: \$ 49.50



HAKKO HEATING FILTERS

SUITS: HAKKO 802/807/809
CODE: HAK A1030 10perPACK
COST: \$ 29.95



HAKKO CEREMIC PAPER FILTERS

SUITS: HAKKO 470/471/473/481/483/484/700/706/707
CODE: HAK A1009 10perPACK
COST: \$ 19.95



HAKKO CEREMIC PAPER FILTERS

SUITS: HAKKO 481/483/484/707/800/802/807/808/809
CODE: HAK A1033 10perPACK
COST: \$ 19.95



HAKKO PRE-FILTERS

10perPACK

SUITS: HAKKO 808
CODE: HAK A1229
COST: \$ 19.95



HAKKO VALVE PLATE

2perPACK

SUITS: HAKKO 470/472/474
 HAKKO 701/703 ETC
CODE: HAK A1014
COST: \$ 19.95

AWAITING PICTURE

HAKKO NOZZLE 1.3mm (0.05")

SUITS: HAKKO 802/808/809
CODE: HAK A1006
COST: \$ 35.00



HAKKO NOZZLE 1.0mm (0.04")

SUITS: HAKKO 802/808/809
SLIM:
CODE: HAK A1003
COST: \$ 38.50
STANDARD:
CODE: HAK A1005
COST: \$ 38.50



HAKKO TIP CLEANER

Replacement cartridge for HK-601 soldering iron holder. Cleans better than conventional sponges. No water required. May be used as a portable tool holder & cleaner. Won't reduce the tip temperature.
SUITS: HAKKO TIPS
CODE: HK-599
TRADE \$ 29.95
RETAIL \$ 38.50

