

PAGE 8:58

VISATON LOUD SPEAKERS.

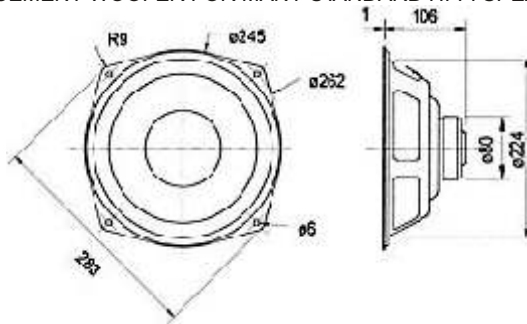
VISION OF SOUND (made in Germany)

10.0inch, (25CM) 8ohm WOOFER.

DUE TO BASKET DESIGN ESPECIALLY SUITED AS REPLACEMENT WOOFER FOR MANY STANDARD HI-FI SPEAKERS.

IMPEDANCE: 8ohm
 NOMINAL POWER: 80Watt
 MAXIMAL POWER: 110Watt
 NOMINAL SOUND PRESSURE: 88dB
 FREQUENCY RESPONSE: (-8dB) (Hz) FC-5000
 RESONANCE FREQUENCY: 40Hz

CODE: VS WS25E8
 TRADE: TBA
 RETAIL: TBA



8.0inch, (20CM) 8ohm WOOFER.

WITH HIGHLY DAMPED NAWI-SHAPED POLYPROPYLENE CONE. HIGH POWER HANDLING DUE TO CAPTON-COIL CARRIER AND MAGNET VENT.

IMPEDANCE: 8ohm
 NOMINAL POWER: 100Watt
 MAXIMAL POWER: 130Watt
 NOMINAL SOUND PRESSURE: 91dB
 FREQUENCY RESPONSE: (-8dB) (Hz) FC-8000
 RESONANCE FREQUENCY: 28Hz

CODE: VS WSP21S
 TRADE: TBA
 RETAIL: TBA

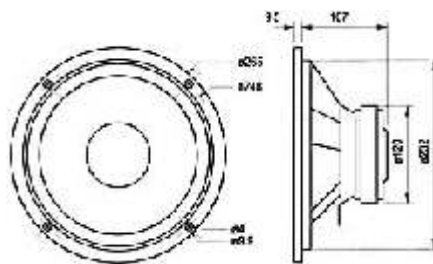


10.0inch, (25CM) 8ohm WOOFER.

WITH HIGHLY DAMPED NAWI-SHAPED POLYPROPYLENE CONE. HIGH POWER HANDLING DUE TO CAPTON-COIL CARRIER AND MAGNET VENT.

IMPEDANCE: 8ohm
 NOMINAL POWER: 110Watt
 MAXIMAL POWER: 140Watt
 NOMINAL SOUND PRESSURE: 91dB
 FREQUENCY RESPONSE: (-8dB) (Hz) FC-7000
 RESONANCE FREQUENCY: 19Hz

CODE: VS WSP26S
 TRADE: TBA
 RETAIL: TBA



UNIVERSAL 100V TRANSFORMER.

PRIMARY SPECIFICATIONS
 10W 1.2kOhm
 5W 2.4kOhm
 2.5W 4.5kOhm
 1.25W 10kOhm
 0.625W 16.6kOhm

CODE: VS TR1016
 TRADE: TBA
 RETAIL: TBA



100V TRANSFORMER.

FOR FULLRANGE SPEAKERS IN 100V NETWORK.

PRIMARY SPECIFICATIONS
 10W 1.2kOhm
 5W 1.9kOhm
 3W 3.9kOhm

SECONDARY 4 + 8Ohm
 FREQUENCY RANGE: 20 - 29kHz (-3dB)

CODE: VS TR84
 TRADE: TBA
 RETAIL: TBA



**ALSO CHECK OUT
 PAGE 3:22
 TV SPEAKERS**