

**PAGE 8:54**

**VISATON LOUD SPEAKERS.**

**VISION OF SOUND (made in Germany)**

**6.5inch, (17CM) 8ohm HIGH-END WOOFER.**

WITH STIFF ALUMINIUM CONE, SOLID DIE-CAST BASKET AND ELASTIC RUBBER SURROUND. EXTREMELY LOW MECHANICAL AND ELECTRICAL LOSSES. FAST PULSE RESPONSE DUE TO LIGHT WEIGHT ALUMINIUM CONE. SUITABLE AS LOW-MIDRANGE DRIVER IN 4WAY HIGH-END SYSTEMS.

IMPEDANCE: 8ohm  
 NOMINAL POWER: 70Watt  
 MAXIMAL POWER: 100Watt  
 NOMINAL SOUND PRESSURE: 88dB  
 FREQUENCY RESPONSE: (-8dB) (Hz) FC-8000  
 RESONANCE FREQUENCY: 38Hz

CODE: VS AL170  
 TRADE: TBA  
 RETAIL: TBA



**1.0inch, (2.5CM) 8ohm HIGH-END TITANIUM DOME TWEETER DRIVER.**

DUE TO THE ENORMOUSLY STRONG AND ULTRA-LIGHT TITANIUM DOME AND IN CONJUNCTION WITH A HIGHLY DAMPED SYPRONYLE SURROUND, LINEAR FREQUENCY RESPONSE AND NO PARTIAL OSCILLATIONS.

IMPEDANCE: 8ohm  
 NOMINAL POWER: 80Watt  
 MAXIMAL POWER: 140Watt  
 NOMINAL SOUND PRESSURE: 90dB  
 FREQUENCY RESPONSE: (-8dB) (Hz) 2kHz ? 30kHz  
 RESONANCE FREQUENCY: 1500Hz

CODE: VS DSM25FFL8  
 TRADE: \$ 99.00  
 RETAIL: \$145.00



**6.5inch, (17CM) CEILING SPEAKER.**

WITH CORROSION FREE, MAT-WHITE METAL GRILLE, SUITABLE FOR INSTALLATION IN SUSPENDED CEILINGS. DEVELOPED FOR PROFESSIONAL 100V REINFORCEMENT SYSTEMS AND DOMESTIC APPLICATIONS. QUICK SNAP-IN MOUNTING DUE TO ROUND CEILING CUT-OUT. ELA-100

TRANSFORMER MATCHING: 1.5W, 3W AND 6W  
 NOMINAL SOUND PRESSURE: 90dB  
 FREQUENCY RESPONSE: 70Hz - 20kHz  
 RESONANCE FREQUENCY: 100Hz

CODE: VS DL181  
 TRADE: \$ 69.95  
 RETAIL: \$ 99.00



**6.5inch, (17CM) 8ohm CEILING SPEAKER.**

WITH CORROSION FREE, MAT-WHITE METAL GRILLE, SUITABLE FOR INSTALLATION IN SUSPENDED CEILINGS. DEVELOPED FOR PROFESSIONAL 100V REINFORCEMENT SYSTEMS AND DOMESTIC APPLICATIONS. QUICK SNAP-IN MOUNTING DUE TO ROUND CEILING CUT-OUT. 2WAY

IMPEDANCE: 8ohm  
 RMS POWER: 50W  
 MAX POWER: 70W  
 NOMINAL SOUND PRESSURE: 90dB  
 FREQUENCY RESPONSE: 50Hz - 20kHz  
 RESONANCE FREQUENCY: 75Hz

CODE: VS DL182  
 TRADE: \$ 89.95  
 RETAIL: \$ 121.00

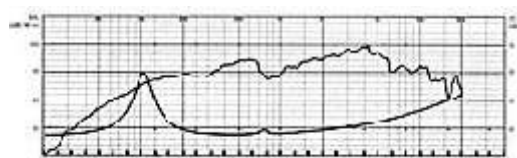


**6.5inch, (17CM) 8ohm FULL RANGE SPEAKER.**

17 cm (6.5") full-range speaker with tweeter dome. High efficiency. Holes for fitting a transformer to magnet or basket (e.g. TR 10.16) for use in a 100V-network. Suitable for full range units as vocal or guitar monitors or as a midi-range unit for fullscale or musicians ` PA-systems.

Nominal power handling 40 Watt  
 Peak power handling 60 Watt  
 Impedance 8 Ohm  
 Frequency response (-8dB) 80 - 20000 Hz  
 Mean sound pressure (nominal) 93 dB  
 Resonance frequency 110 Hz  
 Net weight 0.72 kg

CODE: VS BG17  
 TRADE: \$ 33.00  
 RETAIL: \$ 49.95



**PAGE 8:55**

**VISATON LOUD SPEAKERS.**

**VISION OF SOUND (made in Germany)**

**3inch (8CM) and 4inch (10CM) 4ohm SALTWATER RESISTANT FULLRANGE DRIVER.**

WITH PLACTIC BASKET AND GRILLE. LONG TIME WEATHER PROOFED AND THERFORE ESPECIALLY SUITED FOR OUT-DOOR SOUND REINFORCEMENT SYSTEMS, SWIMMING POOLS, SUANA'S. TOP SPEAKER ALSO FOR BOATS, SHIPS AND OPEN VEHICLES.

IMPEDANCE: 4ohm  
NOMINAL POWER: 20Watt  
MAXIMAL POWER: 30Watt  
NOMINAL SOUND PRESSURE: 85dB  
FREQUENCY RESPONCE: (-8dB) (Hz) 80-16kHz  
RESONANCE FREQUENCY: 120Hz  
COLOUR: WHITE

	3INCH,, 8CM VERSION	4INCH,, 10CM VERSION
CODE:	VS FR8WP4	VS FR10WP4
TRADE:	\$ 39.50	\$ 39.50
RETAIL:	\$ 89.95	\$ 89.95



**5inch, (13CM) 4ohm SALTWATER RESISTANT FULLRANGE DRIVER.**

WITH PLACTIC BASKET AND GRILLE. LONG TIME WEATHER PROOFED AND THERFORE ESPECIALLY SUITED FOR OUT-DOOR SOUND REINFORCEMENT SYSTEMS, SWIMMING POOLS, SUANA'S. TOP SPEAKER ALSO FOR BOATS, SHIPS AND OPEN VEHICLES.

IMPEDANCE: 4ohm  
NOMINAL POWER: 40Watt  
MAXIMAL POWER: 60Watt  
NOMINAL SOUND PRESSURE: 85dB  
FREQUENCY RESPONCE: (-8dB) (Hz) 70-16kHz  
RESONANCE FREQUENCY: 100Hz  
COLOUR: WHITE

CODE: VS FR13WP4  
TRADE: \$ 39.50  
RETAIL: \$ 89.95



**6.5inch, (16CM) 4ohm SALTWATER RESISTANT FULLRANGE DRIVER.**

WITH PLACTIC BASKET AND GRILLE. LONG TIME WEATHER PROOFED AND THERFORE ESPECIALLY SUITED FOR OUT-DOOR SOUND REINFORCEMENT SYSTEMS, SWIMMING POOLS, SUANA'S. TOP SPEAKER ALSO FOR BOATS, SHIPS AND OPEN VEHICLES.

IMPEDANCE: 4ohm  
NOMINAL POWER: 60Watt  
MAXIMAL POWER: 80Watt  
NOMINAL SOUND PRESSURE: 86dB  
FREQUENCY RESPONCE: (-8dB) (Hz) 60-15kHz  
RESONANCE FREQUENCY: 85Hz  
COLOUR: WHITE

CODE: VS FR16WP4  
TRADE: \$ 43.75  
RETAIL: \$ 99.00



**1.0inch, (2.5CM) HIGH-END FABRIC DOME DRIVER.**

FOR THE HIGH-RANGE ABOVE 2000Hz. DUE TO POWERFUL MAGNETIC DRIVER AND THE FERROFLUID-COOLED VOICE-COIL THE HIGH EFFICIENCY AND HIGH POWER HANDLING CAN BE GUARANTEED.

IMPEDANCE: 8ohm  
NOMINAL POWER: 80Watt  
MAXIMAL POWER: 140Watt  
NOMINAL SOUND PRESSURE: 90dB  
FREQUENCY RESPONCE: (-8dB) (Hz) 2kHz ? 30kHz  
RESONANCE FREQUENCY: 1500Hz

CODE: VS G25FFL8  
TRADE: TBA  
RETAIL: TBA



**8.0inch, (20CM) 4ohm WOOFER.**

WITH RED FOAM SURROUND, HIGH POWER RATING. VERY GOOD USE IN CAR HI-FI ETC.

IMPEDANCE: 4ohm  
NOMINAL POWER: 80Watt  
MAXIMAL POWER: 120Watt  
NOMINAL SOUND PRESSURE: 87dB  
FREQUENCY RESPONCE: (-8dB) (Hz) 35Hz-2000Hz  
RESONANCE FREQUENCY: 43Hz

CODE: VS T200  
TRADE: \$ 49.95  
RETAIL: \$ 69.95



**PAGE 8:56**

**VISATON LOUD SPEAKERS.**

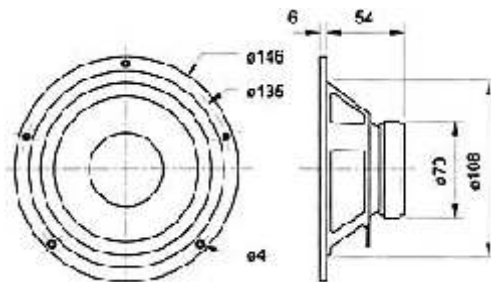
**VISION OF SOUND (made in Germany)**

**5.0inch, (13CM) 8ohm LOW-MIDRANGES.**

WITH COATED CONE AND ELASTIC RUBBER SURROUND.

IMPEDANCE: 8ohm  
 NOMINAL POWER: 50Watt  
 MAXIMAL POWER: 80Watt  
 NOMINAL SOUND PRESSURE: 87dB  
 FREQUENCY RESPONSE: (-8dB) (Hz) FC-8000  
 RESONANCE FREQUENCY: 49Hz

CODE: VS W130S8  
 TRADE: \$ 49.95  
 RETAIL: \$ 69.95



**4ohm VISION**

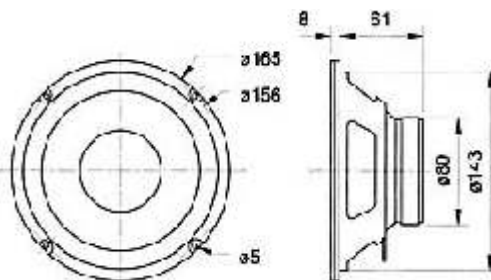
CODE: VS W130S4 TRADE: \$49.95 RETAIL: \$69.95

**6.5inch, (17CM) 8ohm WOOFER.**

WITH COATED CONE AND ELASTIC RUBBER SURROUND.

IMPEDANCE: 8ohm  
 NOMINAL POWER: 40Watt  
 MAXIMAL POWER: 70Watt  
 NOMINAL SOUND PRESSURE: 87dB  
 FREQUENCY RESPONSE: (-8dB) (Hz) FC-4000  
 RESONANCE FREQUENCY: 70Hz

CODE: VS W1708  
 TRADE: \$ 33.00  
 RETAIL: \$ 49.95

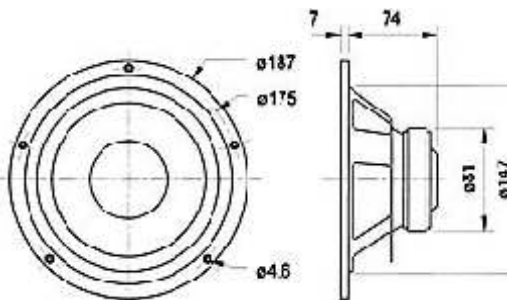


**6.5inch, (17CM) 8ohm WOOFER.**

WITH COATED CONE AND ELASTIC RUBBER SURROUND

IMPEDANCE: 8ohm  
 NOMINAL POWER: 50Watt  
 MAXIMAL POWER: 80Watt  
 NOMINAL SOUND PRESSURE: 86dB  
 FREQUENCY RESPONSE: (-8dB) (Hz) FC-6000  
 RESONANCE FREQUENCY: 36Hz

CODE: VS W170S8  
 TRADE: \$ 66.00  
 RETAIL: \$ 99.00

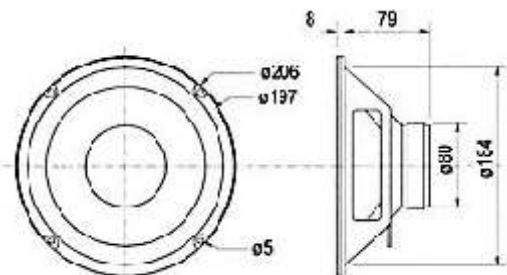


**8.0inch, (20CM) 4ohm WOOFER.**

WITH COATED CONE AND ELASTIC RUBBER SURROUND.

IMPEDANCE: 4ohm  
 NOMINAL POWER: 50Watt  
 MAXIMAL POWER: 80Watt  
 NOMINAL SOUND PRESSURE: 88dB  
 FREQUENCY RESPONSE: (-8dB) (Hz) FC-4500  
 RESONANCE FREQUENCY: 45Hz

CODE: VS W2004  
 TRADE: TBA  
 RETAIL: TBA

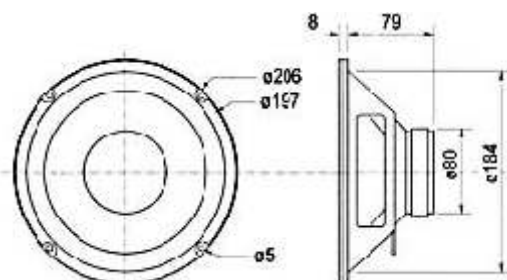


**8.0inch, (20CM) 8ohm WOOFER.**

WITH COATED CONE AND ELASTIC RUBBER SURROUND

IMPEDANCE: 8ohm  
 NOMINAL POWER: 50Watt  
 MAXIMAL POWER: 80Watt  
 NOMINAL SOUND PRESSURE: 88dB  
 FREQUENCY RESPONSE: (-8dB) (Hz) FC-4500  
 RESONANCE FREQUENCY: 45Hz

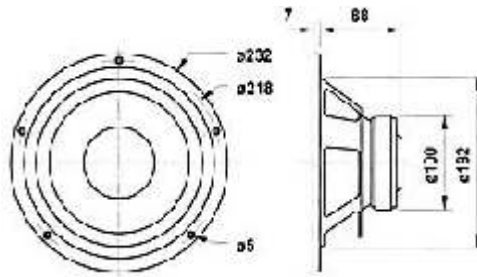
CODE: VS W2008  
 TRADE: \$ 88.00  
 RETAIL: \$ 132.00



**8.0inch, (20CM) 8ohm WOOFER.**

WITH COATED CONE AND ELASTIC RUBBER SURROUND.

IMPEDANCE: 8ohm  
NOMINAL POWER: 75Watt  
MAXIMAL POWER: 115Watt  
NOMINAL SOUND PRESSURE: 88dB  
FREQUENCY RESPONSE: (-8dB) (Hz) FC-5000  
RESONANCE FREQUENCY: 30Hz



CODE: VS W200S8  
TRADE: TBA  
RETAIL: TBA

**10.0inch, (25CM) 8ohm WOOFER WITH 38mm VOICE-COIL.**

WITH AIR-FRIED CONE. VERY GOOD PRICE/PERFORMANCE RATIO AND HIGH POWER RATING.

IMPEDANCE: 8ohm  
NOMINAL POWER: 100Watt  
MAXIMAL POWER: 130Watt  
NOMINAL SOUND PRESSURE: 90dB  
FREQUENCY RESPONSE: (-8dB) (Hz) FC-4500  
RESONANCE FREQUENCY: 31Hz



CODE: VS W250S8  
TRADE: TBA  
RETAIL: TBA

**12.0inch, (30CM) 8ohm WOOFER.**

ESPECIALLY SUITED AS REPLACEMENT DRIVER FOR MANY HI-FI SPEAKERS.

IMPEDANCE: 8ohm  
NOMINAL POWER: 120Watt  
MAXIMAL POWER: 180Watt  
NOMINAL SOUND PRESSURE: (1W/1M) 91dB  
FREQUENCY RESPONSE: (-8dB) (Hz) FC-3kHz  
RESONANCE FREQUENCY: 32Hz

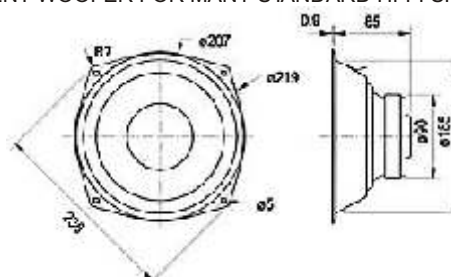


CODE: VS W3008  
TRADE: \$ 99.00  
RETAIL: \$ 145.00

**8.0inch, (20CM) 8ohm WOOFER.**

DUE TO BASKET DESIGN ESPECIALLY SUITED AS REPLACEMENT WOOFER FOR MANY STANDARD HI-FI SPEAKERS.

IMPEDANCE: 8ohm  
NOMINAL POWER: 80Watt  
MAXIMAL POWER: 120Watt  
NOMINAL SOUND PRESSURE: 88dB  
FREQUENCY RESPONSE: (-8dB) (Hz) FC-6000  
RESONANCE FREQUENCY: 45Hz



CODE: VS WS20E8  
TRADE: \$ 44.00  
RETAIL: \$ 59.95

**PAGE 8:58**

**VISATON LOUD SPEAKERS.**

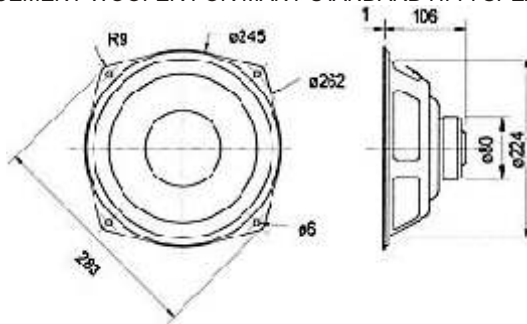
**VISION OF SOUND (made in Germany)**

**10.0inch, (25CM) 8ohm WOOFER.**

DUE TO BASKET DESIGN ESPECIALLY SUITED AS REPLACEMENT WOOFER FOR MANY STANDARD HI-FI SPEAKERS.

IMPEDANCE: 8ohm  
 NOMINAL POWER: 80Watt  
 MAXIMAL POWER: 110Watt  
 NOMINAL SOUND PRESSURE: 88dB  
 FREQUENCY RESPONSE: (-8dB) (Hz) FC-5000  
 RESONANCE FREQUENCY: 40Hz

CODE: VS WS25E8  
 TRADE: TBA  
 RETAIL: TBA



**8.0inch, (20CM) 8ohm WOOFER.**

WITH HIGHLY DAMPED NAWI-SHAPED POLYPROPYLENE CONE. HIGH POWER HANDLING DUE TO CAPTON-COIL CARRIER AND MAGNET VENT.

IMPEDANCE: 8ohm  
 NOMINAL POWER: 100Watt  
 MAXIMAL POWER: 130Watt  
 NOMINAL SOUND PRESSURE: 91dB  
 FREQUENCY RESPONSE: (-8dB) (Hz) FC-8000  
 RESONANCE FREQUENCY: 28Hz

CODE: VS WSP21S  
 TRADE: TBA  
 RETAIL: TBA

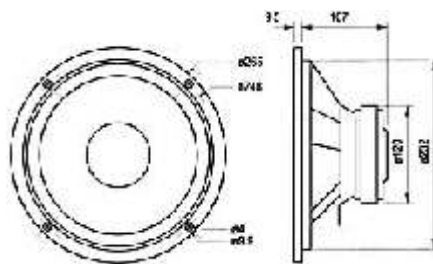


**10.0inch, (25CM) 8ohm WOOFER.**

WITH HIGHLY DAMPED NAWI-SHAPED POLYPROPYLENE CONE. HIGH POWER HANDLING DUE TO CAPTON-COIL CARRIER AND MAGNET VENT.

IMPEDANCE: 8ohm  
 NOMINAL POWER: 110Watt  
 MAXIMAL POWER: 140Watt  
 NOMINAL SOUND PRESSURE: 91dB  
 FREQUENCY RESPONSE: (-8dB) (Hz) FC-7000  
 RESONANCE FREQUENCY: 19Hz

CODE: VS WSP26S  
 TRADE: TBA  
 RETAIL: TBA



**UNIVERSAL 100V TRANSFORMER.**

PRIMARY SPECIFICATIONS  
 10W 1.2kOhm  
 5W 2.4kOhm  
 2.5W 4.5kOhm  
 1.25W 10kOhm  
 0.625W 16.6kOhm

CODE: VS TR1016  
 TRADE: TBA  
 RETAIL: TBA



**100V TRANSFORMER.**

FOR FULLRANGE SPEAKERS IN 100V NETWORK.

PRIMARY SPECIFICATIONS  
 10W 1.2kOhm  
 5W 1.9kOhm  
 3W 3.9kOhm

SECONDARY 4 + 8Ohm  
 FREQUENCY RANGE: 20 - 29kHz (-3dB)

CODE: VS TR84  
 TRADE: TBA  
 RETAIL: TBA



**ALSO CHECK OUT  
 PAGE 3:22  
 TV SPEAKERS**